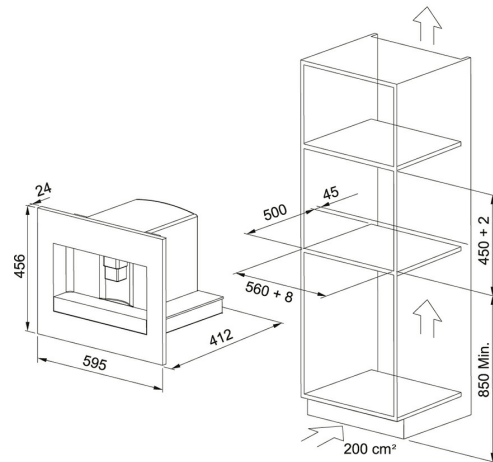


Acier inoxydable-Verre noir | 131.0627.473

FAMILY : **Built-in Coffee Machines** | FINISH : **Acier inoxydable-Verre noir** | INSTALLATION TYPE : **Encastrable** | SERIE : **Mythos** | MODEL : **FMY 45 CM XS** | PRODUCT LINE : **Mythos**



TECHNICAL DATA

Afficheur	Digital white LCD with dark background
Kind of coffee	Grains and ground
Water tank (lt)	1,80 lt
Longueur hors tout	595,00 mm
Hauteur totale	456,00 mm
Profondeur globale	412,00 mm
Type de commandes	Sensitives
Voltage	220-240V 50-60Hz
Functions	Stand By, ECO function, Cappuccino, Hot water, Coffee Strength (Extra-strong, strong, medium, light, extra-light) , Cup Size (Espresso, Small, Medium, Large, Mug), Number of cups, Rinsing, Descaling, Pre-Ground Coffee (decaf), Self-Cleaning Function, Auto Off
Maximum Power	1.35 KW
Éléments de meulage	Integrated
Accessories included	Telescopic guides/runners+brackets+clip, Milk jug, Coffee spoon, Descaling agent bottle, Four-level Water Hardness strip