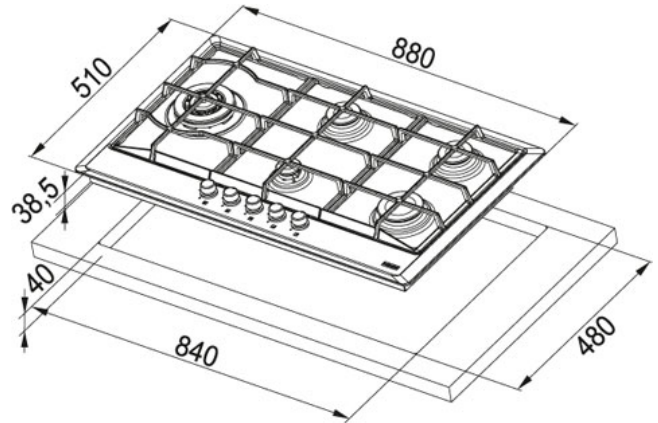


Stainless Steel | 106.0180.937

FAMILY : **Built in Hobs** | SERIE : **Multi Cooking 900** | MODEL : **FHM 905 4G LTC XS C** | FINISH : **Stainless Steel** |
INSTALLATION TYPE : **Inset**



TECHNICAL DATA

Type	Independent Gas Hob
Power (W)	Auxiliary 1000W Semi-Rapid 2x1750W Rapid 3000W Triple Crown 3300W
Type of Controls	Knobs
Length overall	880.00 mm
Width overall	510.00 mm
Cutout Length	840.00 mm
Cutout Width	480.00 mm
Number of burners	5
Pan support	Cast Iron
Width Hob in cm	90.00 cm
Voltage	220-240V
Dimensions	880X510
Safety valve	YES